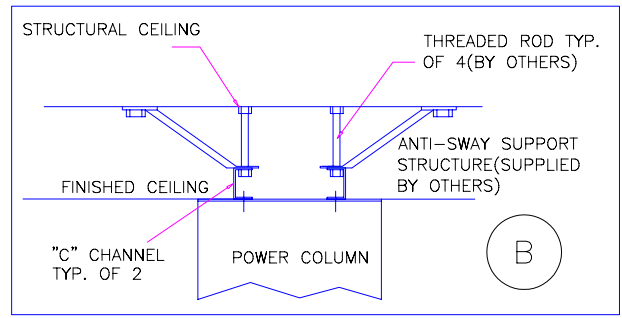
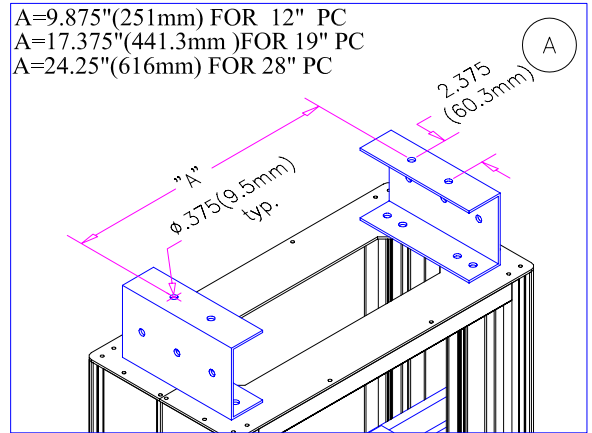
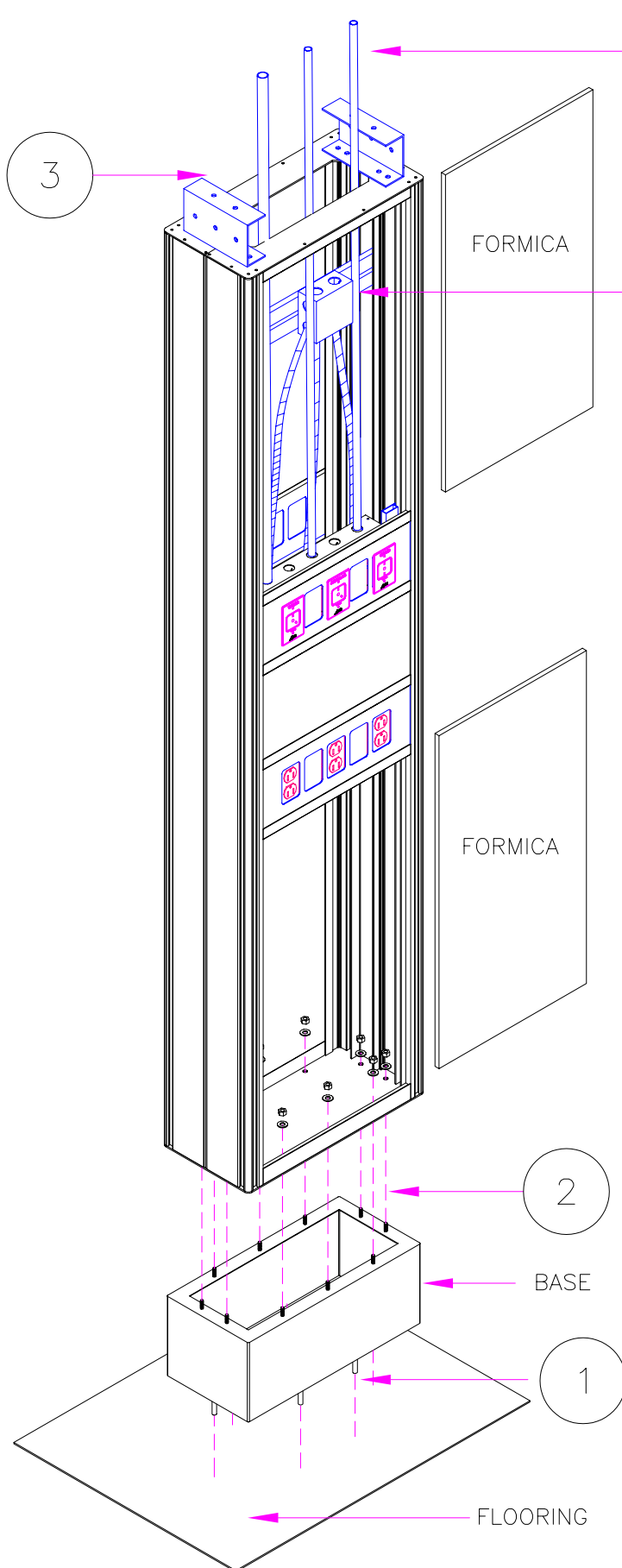


POWER COLUMN MOUNTING INSTRUCTIONS:



1. Anchor Base of the Power Column to the floor.
2. Remove front formica panels as shown. And using the provided 1/4" nuts & washers, fasten Power Column to Base.
3. Mounting structure to the structural ceiling and all hardware needed for that are by others (Detail B). Amico provides two "C" channels attached to the power column. (See detail A for dimensions.)
4. All electrical are pre-wired to junction boxes and contractor should supply power to junction box.
5. All gas pipes must be roughed-in from the ceiling to the Power Column. (As shown on top)