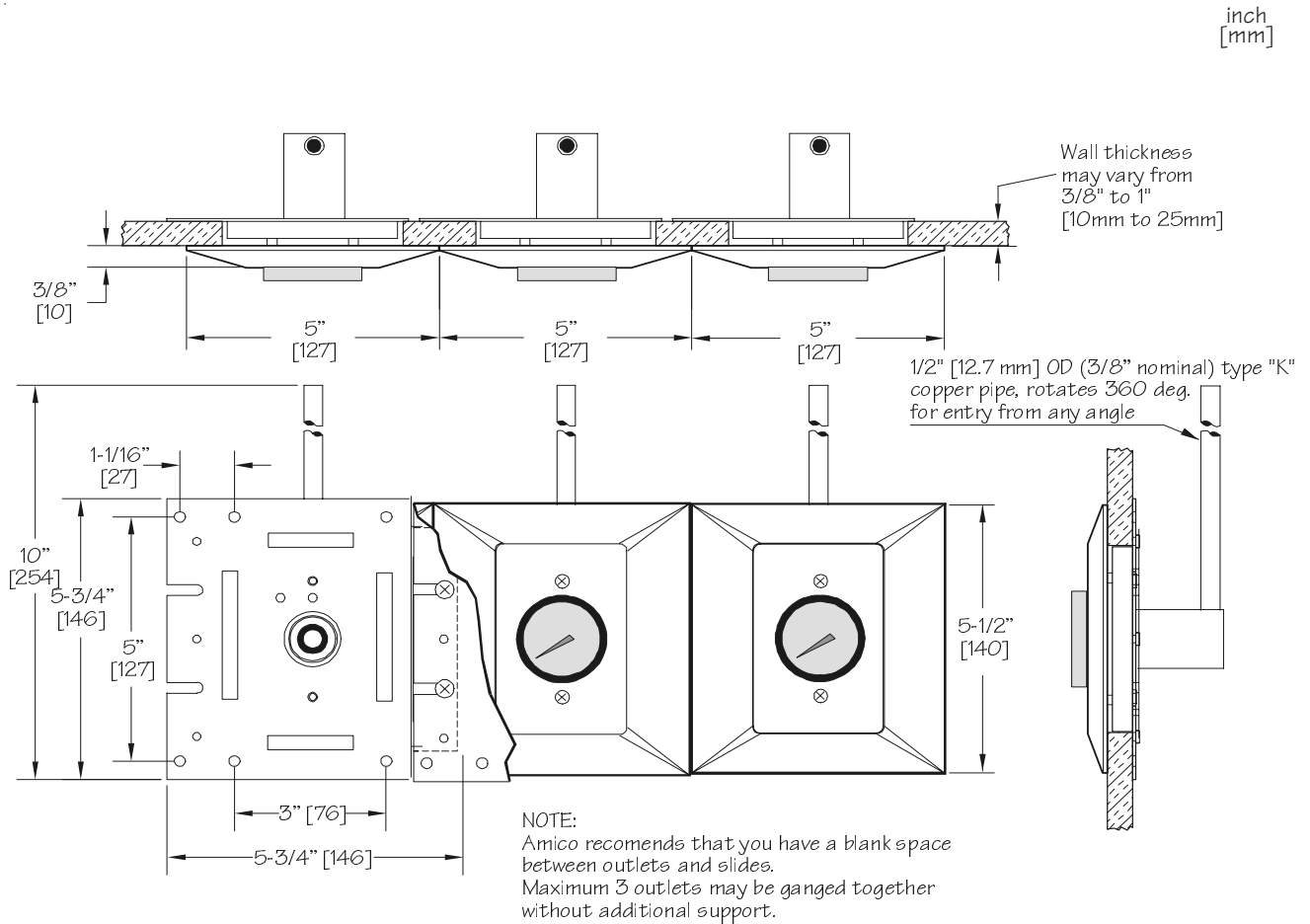


## DIMENSIONS



## MODEL NUMBERS

### O-GAWAL-L-XXX

U = English(NFPA)  
E = English(CSA)  
F = French(CSA)  
S = Spanish(NFPA)

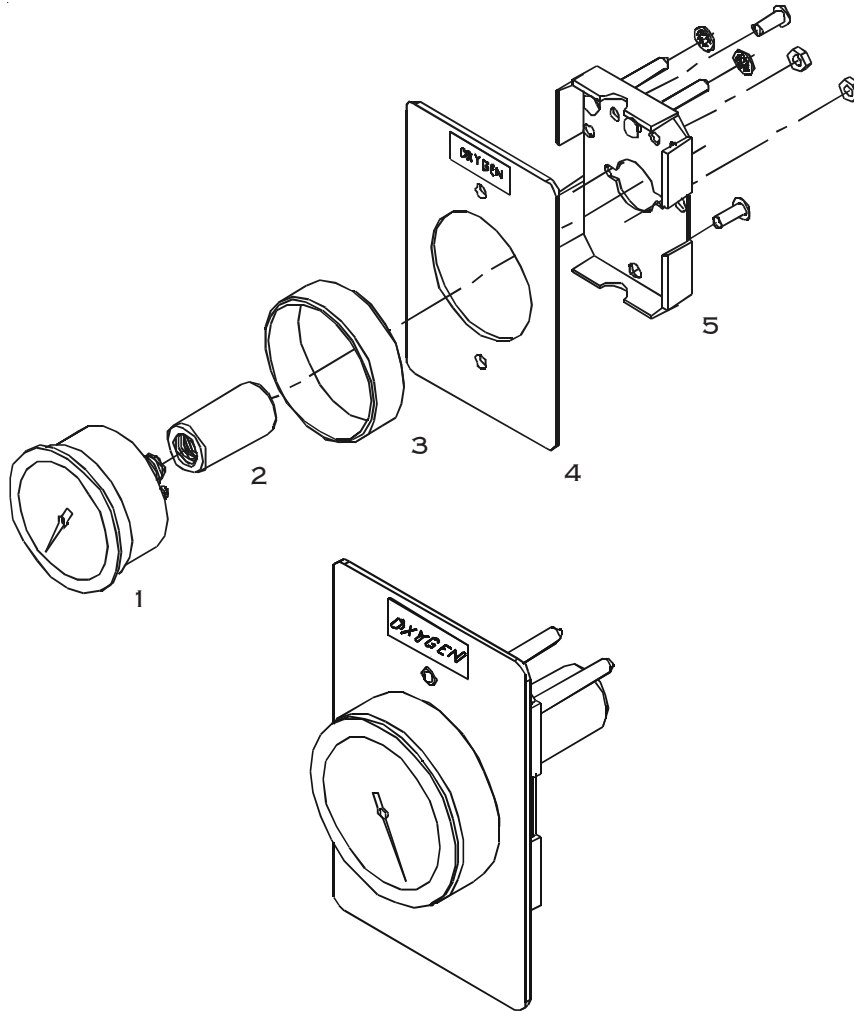
Example:

Oxygen NFPA = O-GAWAL-U-OXY

The XXX defines the Gas:

Oxygen	=	OXY
Medical Air	=	AIR
Nitrogen	=	NIT
CarbonDioxide	=	CO2
Nitrous Oxide	=	N2O
MedVac	=	VAC
Waste Anesthetic Gas Disposal	=	WAG (NFPA)
Anesthetic Gas Scavenging System	=	AGS (CSA)

# GAUGE ASSEMBLY



- 1 O-X-GAGE-100 (0-100 PSI)  
O-X-GAUGE-300 (0-300 PSI)  
O-X-GAUGE-VAC (0-30 Hg<sup>''</sup>)
- 2 O-X-LVA-GA-ADAP
- 3 O-X-LVA-COLL-GA
- 4 O-X-LVAPD-L-XXX
- 5 O-X-LVA-BAKPLT

D I S T R I B U T E D   B Y :