



# AMICO UNIVERSAL REMOTE ALARM BUZZER

## SPECIFICATIONS:

The Amico Universal Remote Alarm Buzzer will provide the user the ability to receive an audible alarm, and a visual alarm from a remote dry contact signal. If an alarm condition occurs, the "RED" alarm Led shall flash and the audible alarm will sound. Pushing the "ALARM SILENCE" button will cancel the audible alarm, but the unit will remain in the visual alarm condition until the problem is rectified.

The M2-REM-AL-NEMA includes a built in power supply that accepts 110Vac to 240Vac 50 to 60Hz as the input voltage. The output voltage is 12 volts DC.

The M2-REM-AL-WALL and M2-REM-AL-SURF if used with an Amico Alert-2 Manifold or Alarm does not require a power supply if the distance between the Universal Remote Buzzer and the Manifold or Alarm is less than 60ft otherwise an external power supply is required. A2P-POWER-CONV, or a 12 volt DC voltage required.

## FEATURES:

The Remote Alarm Buzzer can be used in the following separate functions:

A device sending a dry contact signal.

An Amico Alert-2 Area or Master alarm.

An Alert-2 manifold bank switch-over occurs.



M2-REM-AL-WALL



M2-REM-AL-NEMA



M2-REM-AL-SURF

## PROJECT:

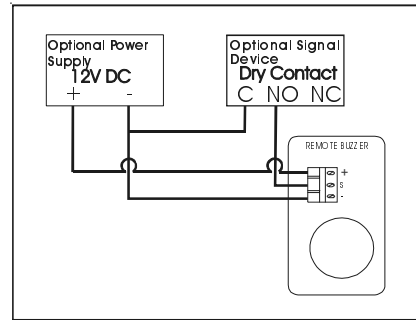
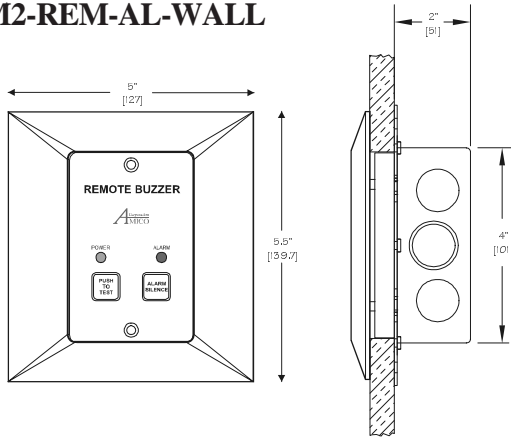
---

---

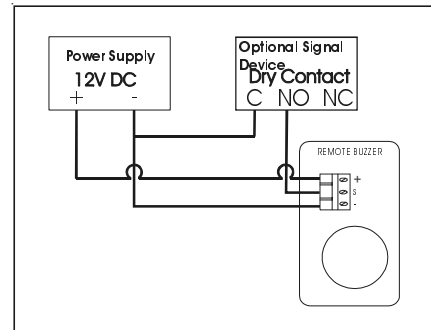
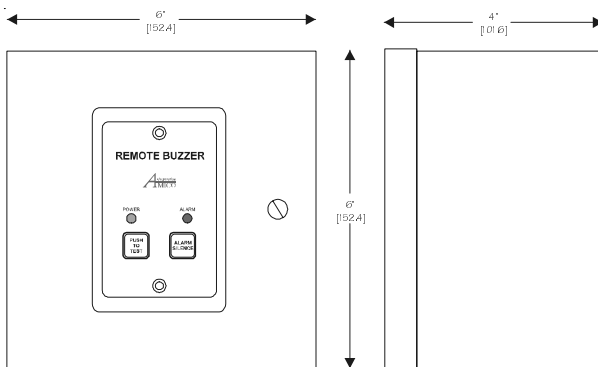
---

# DIMENSIONS

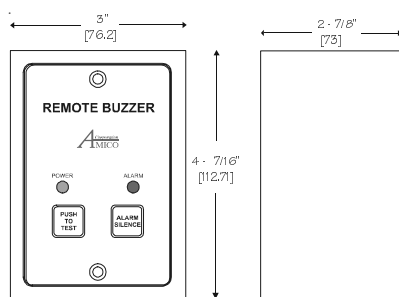
## M2-REM-AL-WALL



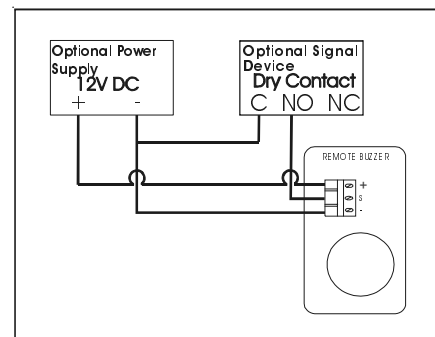
## M2-REM-AL-NEMA



## M2-REM-AL-SURF



## Wiring Schematic



**DISTRIBUTED BY:**