

# MEDICAL CARE CART

## Features and benefits:



- Can be customized
- Choice of finishes
- Sturdy caster wheels
- Lockable drawers
- Suitable for all areas of the hospital
- Use any standard accessory to add functionality

## Specifications:

The Amico Medical Care Cart provides a solution to the mobile needs of healthcare providers today.

Our high grade steel frame with caster wheels is the perfect base to start with. A hand rail and top shelf made with high pressure laminate is available in many colors. A vertical track built into the framework allows easy customization using standard accessories. The convenient table top folds to create a lower profile for close-to-wall storage.

As your hospital transforms so will this cart, eliminating the need to buy new ones. Amico Accessories offers a 5 year warranty.

Choose from any standard design or customize it to your needs with the help of our customer service staff.

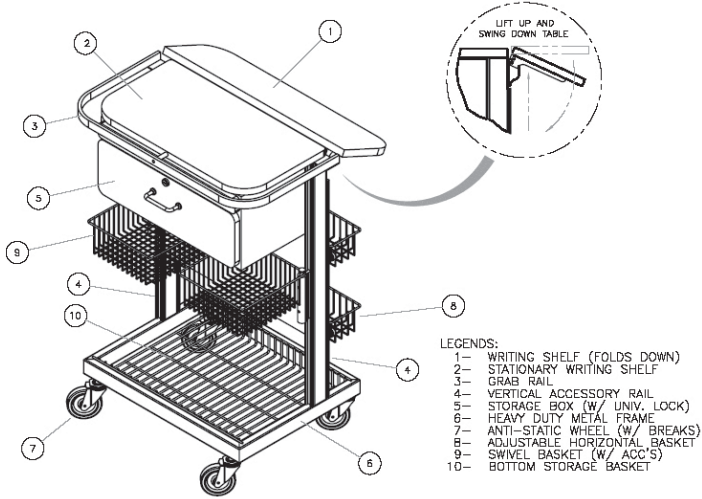
## Recommended Add-ons:

- Keyboard Tray
- Sharps Container Holder
- Wastebasket
- E Cylinder Holder
- Cardiac Board
- Portable Suction Unit



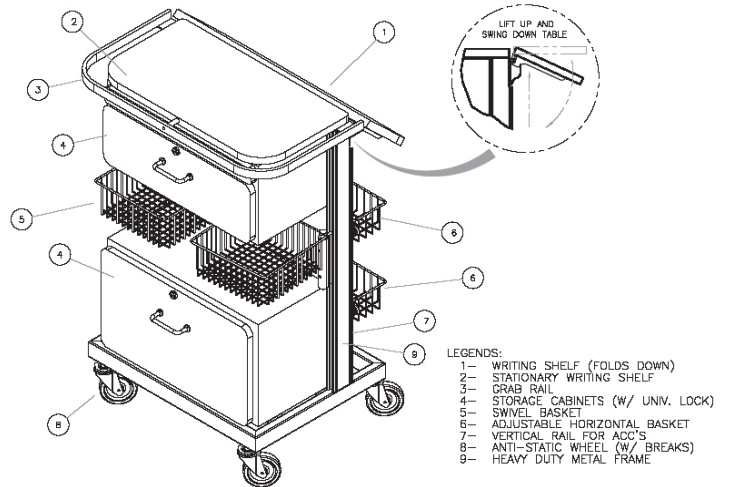
# PRE-CONFIGURED OPTIONS

## CART WITH 1 DRAWER



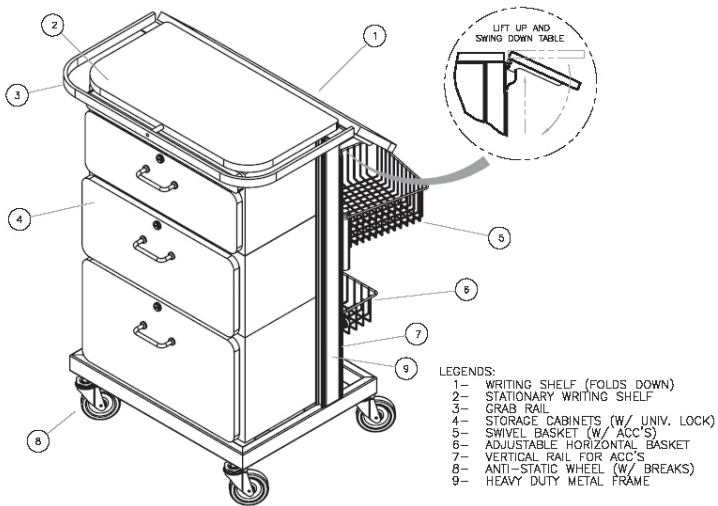
CC-DR1

## CART WITH 2 DRAWERS



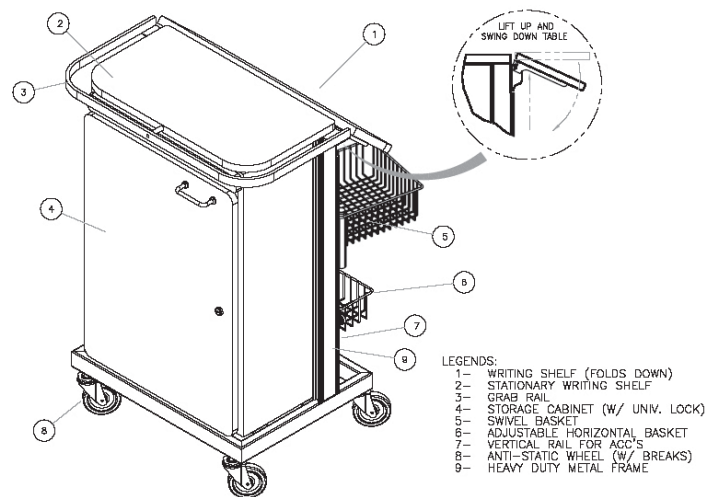
CC-DR2

## CART WITH 3 DRAWERS



CC-DR3

## CART WITH FULL CUPBOARD



CC-FCB