

SPECIFICATIONS:

The LVC (Low Voltage Controller) shall be an Amico Alert-2 series.

When an over bed light is controlled through a nurse call handset, bedrail or pendant switch an Amico LVC is required.

The Amico LVC housing shall be made of 16 gauge aluminum with an 18 gauge galvanized steel mounting plate.

The LVC can be controlled **Sequential** or **Individual**.

For **Sequential** control, only one push button is used for control (can be multiple Push-Button locations all wired in parallel) as follows:

1. Up light on
2. Up light off and Down light on
3. Both on
4. Both off

For **Individual** control, 2 push buttons are used for control (can be multiple Push-Button locations all wired in parallel) as follows:

Push button Up: Up light on and off cycles with each push of the button.

Push button Down: Down light on and off cycles with each push of the button.

The LVC shall include a selector switch for **Individual** or **Sequential** control.

The LVC is a UL Recognized Component.

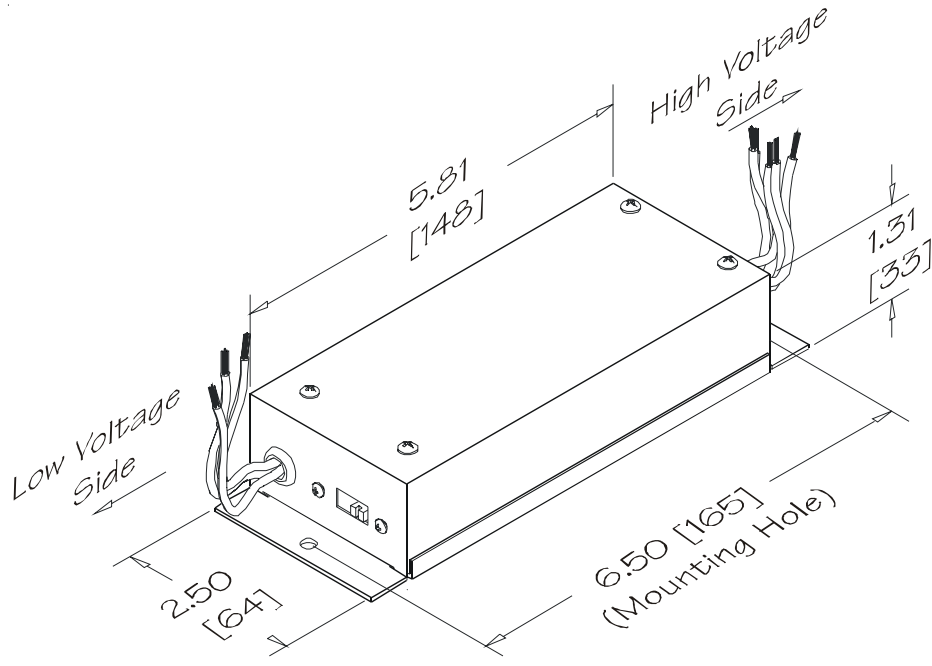


FEATURES:

- Universal input voltage: 120 to 230 VAC 50/60 Hz.
- Output voltage determined by input voltage (120 to 230 vac).
- Solid state switching, for two light outputs (up and down).
- Individual control with 2 momentary switches or sequential control with 1 momentary switch (switch selectable).
- Maximum load:
120 vac = 6 amp each circuit.
230 vac = 3 amp each circuit.

PROJECT:

MOUNTING & DIMENSIONAL DATA



LOW VOLTAGE CONTROLLER
 120V 60HZ 6 AMP EA. CIRC.
 230V 60HZ 3 AMP EA. CIRC.

(2) MOM. CONTACT SWITCHES OR SPDT ROCKER SWITCH

INDIVIDUAL CONTROL
 BLACK - COMMON TO BOTH SWITCHES
 ORANGE - CONTROLS LOAD 1
 BLUE - CONTROLS LOAD 2

SEQUENTIAL CONTROL
 (4 POSITIONS) LOAD 1 ON, 2 ON, 1&2 ON, OFF
 BLACK & WHITE TO MOM. CONTACT SWITCH

85 Fulton Way
 Richmond Hill, Ontario
 L4B 2N4, Canada
 Tel: (905) 764-0800
 1-877-462-6426
www.amico.com

LINE & LOAD SIDE

- BROWN — LOAD 1
- RED — LOAD 2
- BLACK — LINE
- WHITE — LINE & LOAD
- GREEN — GROUND

P/N: W-LVC

DISCONNECT POWER BEFORE SERVICING!

MODEL NUMBERS

W-LVC

DISTRIBUTED BY:

